

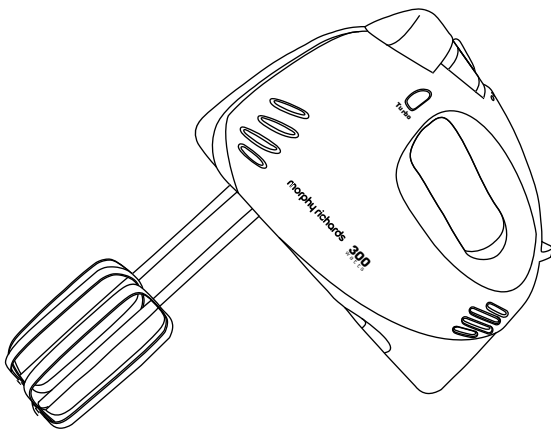
morphyrichards

300 watt hand mixer

HM 02



Please read and keep these instructions



getting the best from
your new mixer...

It is recommended to start mixing at a low speed, then change to a higher speed as required.



www.morphyrichards.co.uk
www.morphyrichardsindia.com

Important safety

instructions

The use of any electrical appliance requires following knowledge of basic safety rules. Primarily there is danger of injury or death and secondly the danger of damage to the appliance. These are indicated in the text below:

WARNING: Danger to the person!

IMPORTANT: Damage to the appliance! In addition we offer the following essential safety advice.

Location

- Do not use outdoors.

Mains lead

- The mains lead should reach without straining the connections.
- Do not let the mains lead hang over the edge of a worktop where a child could reach it.
- Do not let the lead run across an open space e.g. between a low socket and table.
- Do not let the lead run across a cooker or toaster or other hot area which might damage the cable.

Your safety

- Unplug from outlet before cleaning or attaching or detaching beaters and dough hooks.
- Do not touch moving parts.
- Don't let rotating attachments touch the mains cable.
- Don't clean the attachments under running water while they are in position.
- Make sure the mixer is switched off before connecting to or disconnecting from the mains supply.

Children

- Do not allow children to use this mixer. Children are vulnerable in the kitchen particularly when unsupervised and if appliances are being used or cooking is being carried out.
- Teach children to be aware of dangers in the kitchen, warn them of the dangers of reaching up to areas where they cannot see properly or should not be reaching.

Other safety considerations

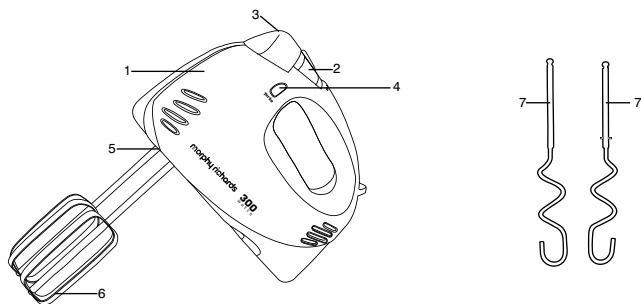
- To protect against fire, electric shock and personal injury do not immerse cord, plug or mixer in water or other liquid.
- Do not operate any appliance with a damaged cord or plug or after the appliance malfunctions or has been damaged in any manner. Contact the nearest authorised service center of Morphy Richards for advice on examination and repair.
- Do not use accessories which are not recommended by Morphy Richards as there is the danger of fire, electric shock or personal injury.
- Do not place on or near a hot gas or electric burner or in a heated oven.
- Unplug from the outlet when not in use.

Electrical requirements

Check that the voltage on the rating plate of your appliance corresponds with your house electricity supply which must be A.C. (Alternating Current). If the socket outlets in your home are not suitable for the plug supplied with this appliance, the plug should be removed and the appropriate one fitted.

WARNING: The plug removed from the mains lead, if severed, must be destroyed as a plug with bared flexible cord is hazardous if engaged into a live socket outlet.

Parts diagram



Description of parts

1. Body
2. Speed control slider
3. Release button
4. Turbo switch
5. Mounting holes
6. Beaters
7. Dough hooks

Assembly

WARNING: Make sure that the mixer is switched off and unplugged.

- 1 Choose beaters or dough hooks.
 - Use beaters for mixing, beating, whipping and creaming liquids and mixtures.
 - Use dough hooks for mixing and kneading dough.
- 2 Insert the stem of the beater or dough hook into one of the mounting holes in the motor unit.
- 3 Push and turn the beater or dough hook until it locks into place.
- 4 Repeat for the other beater or hook.
- 5 To remove, press the release button.

Using

- 1 Switch on by sliding the speed slider to one of the positions 1 (lowest speed) to 5 (highest speed).
 - It is recommended to start at a low

speed, then change to a higher speed as required.

- Only use the turbo setting for short bursts of mixing. (turbo will only work on setting 1-4).

2 Switch off by returning the slider to 0.

IMPORTANT: Do not operate the mixer continuously for more than 10 minutes (with beaters) or 2 minutes (with dough hooks).

After using for these lengths of time, let it cool down for 10 minutes before using again.

- When working with liquids, use a low speed in order to avoid splashing onto the mixer and firmly hold the liquid container

Cleaning

Before cleaning and maintenance, switch the appliance off and unplug it.

- 1 Remove and wash the beaters and dough hooks in warm soapy water and dry well.
 - 2 Wipe the motor unit with a damp cloth.
- Do not use any abrasive or solvent-based cleaner.

Morphy Richards products are intended for household use only

Morphy Richards has a policy of continuous improvement in product quality and design. The Company, therefore, reserves the right to change the specification of its models at any time.

Products & parts are indicative only, the actual product may differ.

morphy richards

Morphy Richards Ltd, Mexborough,
South Yorkshire, England, S64 8AJ