

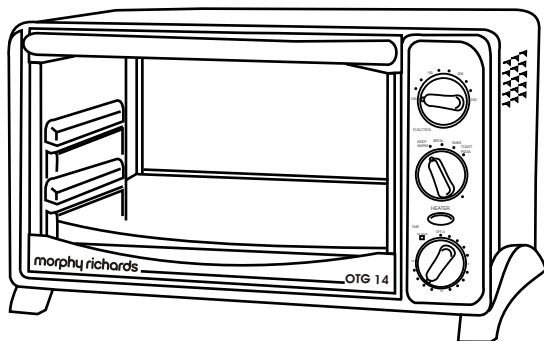
**morphyrichards**

# Oven toaster griller

*OTG 14 / OTG 14 SS*



Please read and keep these instructions



Getting the best from your  
new oven toaster griller....

**2year**  
guarantee  
2 años de garantía / 2 ans de garantie

[www.morphyrichards.co.uk](http://www.morphyrichards.co.uk)  
[www.morphyrichardsindia.com](http://www.morphyrichardsindia.com)

## Important Safeguards

---

When using electrical appliances, basic safety precautions should always be followed, including the following:

- 1 Read all the instructions
- 2 Do not use the oven toaster griller (OTG) other than its intended use
- 3 Do not use outdoors
- 4 Do not immerse the OTG, power cord or power plug in water or other liquid.
- 5 Do not let the mains lead overhang the edge of a worktop where a child could reach it.
- 6 Never allow a child to operate the OTG
- 7 Unplug from the socket when not in use and before cleaning. While removing the plug from the socket never pull on the power cord.
- 8 Do not operate the OTG with damaged plug or after the OTG has malfunctioned or has been dropped or damaged in any way. Contact Morphy Richards for advice on examination, repair, electrical or mechanical adjustment.
- 9 Use attachments or tools recommended by Morphy Richards only.
- 10 Do not move the OTG when plugged in or hot
- 11 Do not let the mains lead contact hot surfaces. Never wrap the cable around the OTG
- 12 To avoid risk of burns, do not touch the heating element, outer metal surface and front glass door of the OTG when in use
- 13 Place the OTG on a stable, plane and heat resistant surface

14. Leave sufficient space all around the OTG to allow the hot air to escape. Take special care to keep the OTG away from flammable materials such as curtains or draperies during and after use. Do not use underneath cupboards.
- 15 Never cover the OTG when in use.
- 16 Do not apply water on the front glass while in operation or when it is hot as the glass could crack otherwise
- 17 In order to comply with safety regulations and to avoid hazards please contact nearest authorized service center for service.

## SAVE THESE INSTRUCTIONS

### Electrical requirements

---

Check that the voltage on the rating plate of your appliance corresponds with your house electricity supply which must be A.C.

**IMPORTANT:** THE PLUG REMOVED FROM THE MAINS LEAD, IF SEVERED, MUST BE DESTROYED AS A PLUG WITH BARED FLEXIBLE CORD IS HAZARDOUS IF ENGAGED INTO A LIVE SOCKET OUTLET.

**WARNING:** THIS APPLIANCE MUST BE EARTHED.

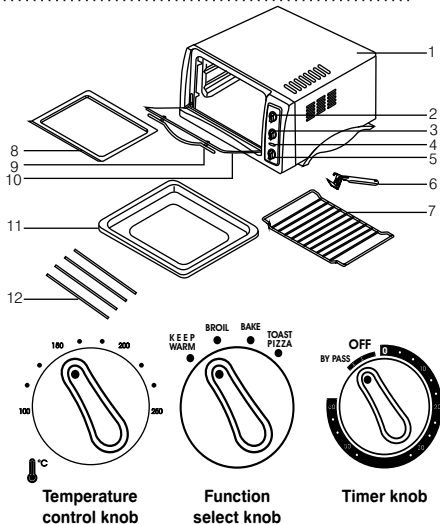
## Technical specifications

Models	OTG 14 / OTG 14 SS
Power supply	230 volts, AC,50 hz
Wattage	1200 Watts
Capacity	14 Litres
Timer	0-60 Minutes

## Accessories

1	Cooking tray	1No.
2	Wire rack	1No.
3	Crumb tray	1No.
4	Skewer rods	4 Nos.
5	Tong	1No.

## Know your OTG



- ① Body
- ② Temperature control knob
- ③ Function select knob
- ④ Heater indicator
- ⑤ Timer knob
- ⑥ Tong
- ⑦ Wire rack
- ⑧ Crumb tray
- ⑨ Glass door handle
- ⑩ Glass door
- ⑪ Cooking tray
- ⑫ Skewer rods

## Controls and functions

### Temperature control knob

This knob helps to set the temperature upto 250°C, as desired for a particular recipe.

### Function select knob:

This knob has four positions as under

- Keep warm
- Broil (Grill)
- Bake
- Toast

Keep the function select knob at desired cooking function mode

### Timer knob

- 1 This knob is used to set the time as per the requirement of the recipe.
2. The knob also ensures the power supply to the unit. i.e. the OTG is switched OFF by moving the timer knob to OFF position
3. To operate the timer, wind the timer clockwise and set it to the required time. The power supply to the unit will cut off automatically once the set time elapses. An acoustic signal indicates that the OTG is switched off.

### Timer by pass

In the timer by pass mode, the timer will be bypassed, as long as the knob is not turned to OFF position. This mode is useful for using keep warm function for more than 60 minutes.

### Heater indicator

The indicator glows when the heater/heaters is/are ON.

### Keep warm function

- 1 The function is useful to warm the cooked food

- 2 To warm the cooked food, place the container with the food to be warmed on the wire grill at the bottom rack position
- 3 Close the glass door
- 4 Keep the function select knob on "keep warm mode" position.
- 5 Keep the temperature control knob at minimum.
- 6 Keep the timer knob at desired level of time or at by pass mode, OTG will be switched ON.
- 7 To switch OFF the OTG turn the timer knob back to 0 / OFF position.
- 8 Open the glass door using door handle and remove the food container.

## Before first use

- 1 Carefully unpack the OTG , accessories, and printed material .Remove stickers ( if any, accept the rating plate) .
- 2 Read all the instructions provided in this manual carefully to familiarize yourself with the product.
- 3 Wipe the glass door and the inner cavity of the OTG with a moistened cloth. Wipe again with a dry cloth.
- 4 Place the OTG on a plane and heat resistant surface. Leave a space of at least 4 inches (100 mm) between the back cover of the OTG and the wall.
- 5 Insert the power plug into a suitable power socket and switch ON the OTG by setting the timer at 15 minutes.
- 6 Let the OTG heat up for 10 minutes with function select knob at "toast mode" position and temperature control knob at 250 C. A slight smell may be emitted. This is n'ormal in any electrical appliance and will last only for a short time. Ensure sufficient ventilation. Switch OFF the OTG by turning the timer knob to 0 / OFF position after 10 minutes

## Instructions for use

- 1 Before every use, preheat the OTG for 10 minutes with function select knob at "toast

mode" position and temperature control knob at 250 C.

- 2 Pre-heating need not to be done for second and subsequent consecutive cooking operations, if the time between the first and the second consecutive cooking operations is lesser than 5 minutes.
- 3 Insert the power plug into the power socket
- 4 Set the time with timer knob as per the requirement of the recipe (exclude the pre heating time). The OTG will switch ON moment the timer knob is set to any desired cooking time . After the set time elapses , the power supply to the unit would shut off automatically. If you desire to switch off the OTG at any time, turn the timer knob back to 0 / OFF position.
- 4 Open the hot glass door after the cooking function is over, always use the glass door handle .
- 5 To remove the hot cooking tray, always use the tong.

## General cleaning

- 1 After use and before cleaning, switch-off the OTG, remove the power plug form the socket and wait for the OTG to cool.
- 2 Wipe the glass door and the inner cavity of the OTG with a moistened cloth. Wipe again with a dry cloth.
- 3 If any food particle or liquid has spilled, clean it with damp cloth and let the interior dry thoroughly.
- 4 Never use metal polish or coats scoring agents for cleaning.
- 5 Do not scrub the surface of the cooking tray with any hard or abrasive material, while cleaning. Use a sponge or nylon scrubber to clean the surface of the cooking tray. To clean the stubborn food particles on the cooking tray , make a thick paste of normal washing powder using little water and apply on the surface. Keep it for a while, scrub with sponge and wash .

## Note:

---

- The recipes given in the recipe section are meant as a guideline. The timings and temperatures given with the recipes may vary to a certain extent depending on voltage variations, ingredients used and ambient conditions.

## Technical Data

---

Power Supply : AC 230V 50Hz

Wattage : 1200W

*Morphy Richards products are intended for household use only*

*Morphy Richards has a policy of continuous improvement in product quality and design. The Company, therefore, reserves the right to change the specification of its models at any time.*

*Products & parts are indicative only, the actual product may differ.*

**morphy richards**

Morphy Richards Ltd, Mexborough,  
South Yorkshire, England, S64 8AJ