

morphy richards

2 slice pop-up toaster AT-203



Please read and keep these instructions



getting the best from
your new toaster...

2year
guarantee
2 años de garantía 2 ans de garantie

www.morphyrichards.co.uk
www.morphyrichardsindia.com

Operating instructions

Carefully read these instructions before using the toaster and save them for future reference.

- Before connecting, make sure that the electrical supply voltage matches the operating voltage of the toaster.
- Make sure that your hands are dry before inserting the plug into the outlet or turning on the toaster.
- Operate the toaster on a dry, stable surface.
- Do not use the toaster outdoors.
- There should always be enough room around the toaster to provide good ventilation. Do not place the toaster near curtains, wall-papered walls, clothing, kitchen towels or any other flammable material.
- Use the toaster with caution around surfaces that may be damaged by high temperatures.
- Attention! If cooked for too long, toast can ignite.
- Do not use the toaster to heat foods containing sugar, jam or jelly.
- In order to avoid the risk of electric shock, do not place very large products or products wrapped in foil into the toaster.
- Do not, for any reason, cover the device while preparing toast.
- Clean the crumb tray regularly. Make sure that crumbs do not collect there.
- Always unplug the toaster when not in use or while cleaning.
- Make sure that the toaster has cooled completely before cleaning.
- Do not submerge any part of the toaster, its power cord or plug in water or any

other liquid.

- Do not use rough, abrasive or caustic cleaners to clean the toaster.
- Do not allow the power cord to hang over sharp edges or lay across hot surfaces.
- Check the power cord regularly. If the slightest damage to the power cord is found or other signs of malfunction are observed, contact an authorized service center for repairs.

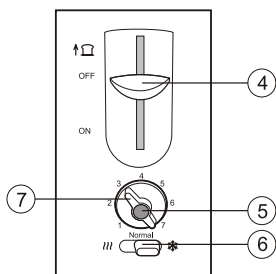
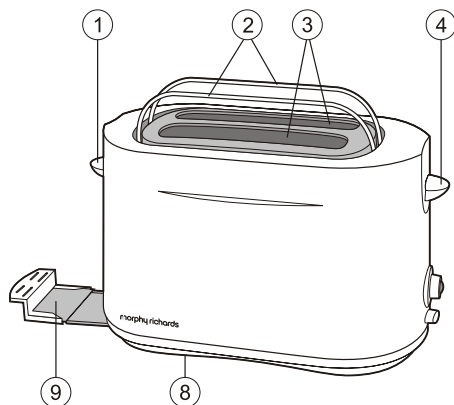
Careful!

The metal parts of the toaster heat up significantly during operation. Safety measures should be taken to prevent burns, fires and other material damage.

WARNING: Never attempt to remove cooked toast from toaster with a knife or other object while the toaster is plugged in; if the heating element is touched with a metal object, it could result in electrical shock. Allow the toaster to cool, disconnect it from electrical power, and only then, carefully remove the bread.

DESCRIPTION

1. Handle for locking the built-in grill
2. Built-in grill
3. Opening for toast
4. Handle for turning on the toaster
5. "Cancel" button
6. Mode selector (reheat/ Normal/ defrost)
7. Toasting level selection handle
8. Power cord storage space
9. Removable crumb tray



Using the toaster before first use

- Remove all the packing materials before using the toaster.
- Without loading any bread into the toast openings, turn on the device, set the mode selector (6) to the "Normal" position and the toasting level selector (7) - to the maximum time.
- The heating elements are burned in during the first use and so there may be a small amount of smoke released - this is normal.

Useful advice

- The toasting level depends on the thickness and quality of the bread.
- Never cook really thin or really thick pieces of bread; the thickness of the toast should not exceed 20 mm.
- To remove a piece of toast that has gotten stuck in the opening, first allow the toaster to cool and then use a small wooded spatula. Do not touch the heating elements. They are dangerous.

Preparing toast

- Connect the power plug to the outlet; insert slices of bread into the toast openings (3).
- Set the mode selector (6) to "Normal."
- Set the toasting level selector (7) to the desired cooking time: 1 - minimum toasting level; 7 - maximum toasting level.
- Press the "on" handle (4) down until it locks.
- When the toast is done, the toaster automatically turns off and the "on" handle (4) returns to its original position.
- Carefully lift the "on" handle (4) to remove small pieces of bread from the toaster.

Reheating

- You can reheat cold toast if necessary.
- Set the selector (6) to the far-left "reheating" position.
- Load the toast and press the "on" handle (4).
- This mode allows you to reheat toast without any additional cooking.

Defrosting

- In order to toast frozen bread products, set the selector (6) to the far-right "defrosting" position; load the toasts, press the "on" handle (4).

"Cancel" button

If you want to cancel the cooking process, press the "Cancel" (5) button.

Heating rolls

- Attach the roll-heating attachment by pressing the handle (1).
- Place the rolls or other bread products on the heating attachment (2).
- Set the mode selector (6) to the "Normal" position.
- Set the toasting level selector to the desired time setting.
- Press the "on" handle (4) until it locks.
- When the preset toasting time expires, the toaster automatically turns off.

Crumb tray

- Your toaster is equipped with a tray to collect crumbs (9).
- To remove the crumbs, simply slide out the tray, remove the crumbs and then replace the tray.

Care and cleaning

Make sure the toaster is disconnected from power before cleaning.

Wait until the toaster has cooled completely.

Never submerge the device in water or any other liquid.

Wipe the outer surfaces of the toaster with a

damp cloth and then wipe it dry.

Slide out the crumb tray, remove the crumbs, and then replace the tray.

In order to avoid damage to the device, do not insert any foreign objects into the toasting openings.

Store the device in a cool, dry place.

Technical Data

Power Supply : 220-230V, 50Hz

Wattage : 700W

Morphy Richards products are intended for household use only

Morphy Richards has a policy of continuous improvement in product quality and design. The Company, therefore, reserves the right to change the specification of its models at any time.

Products & parts are indicative only, the actual product may differ.

morphy richards

Morphy Richards Ltd, Mexborough,
South Yorkshire, England, S64 8AJ